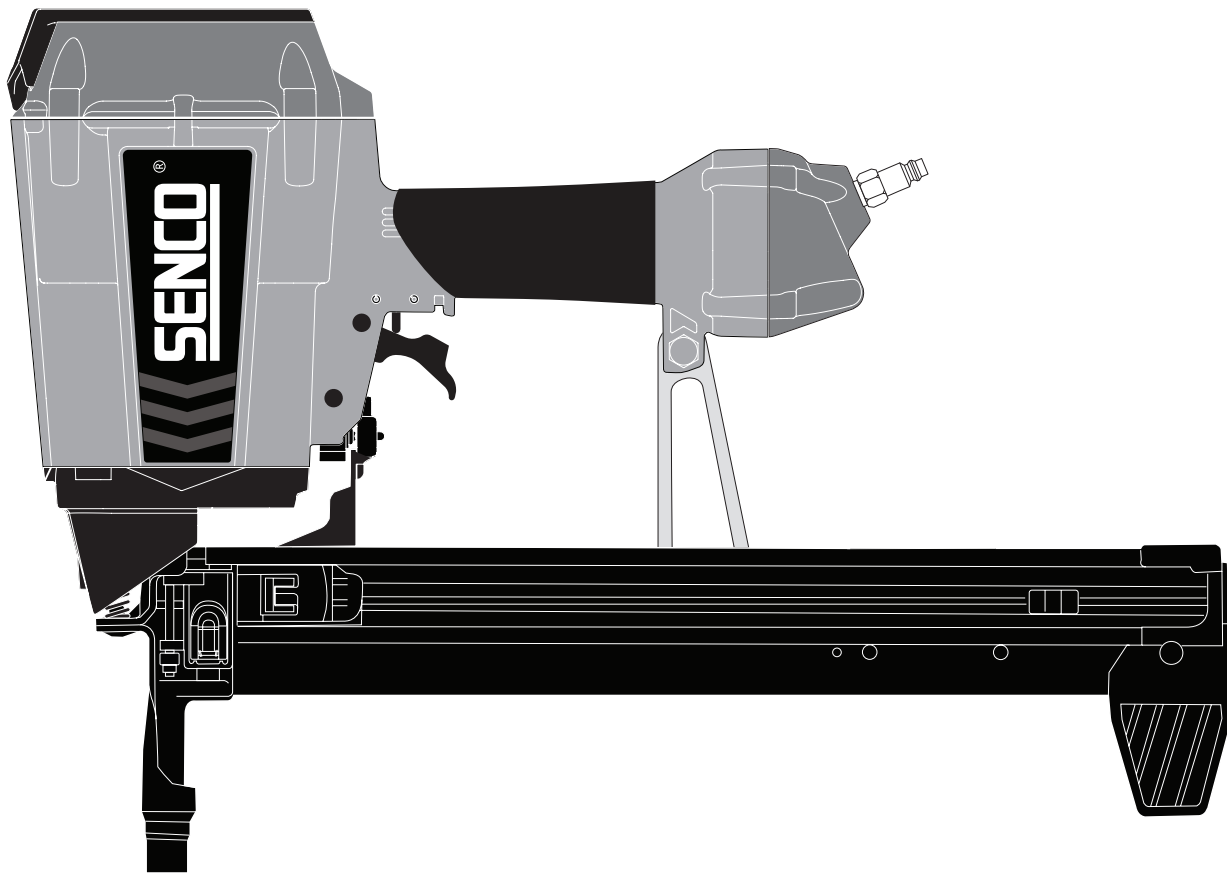


SENCO®

***SAP40XP PNEUMATIC
STEEL/CONCRETE FASTENING SYSTEM***

Parts Reference Guide

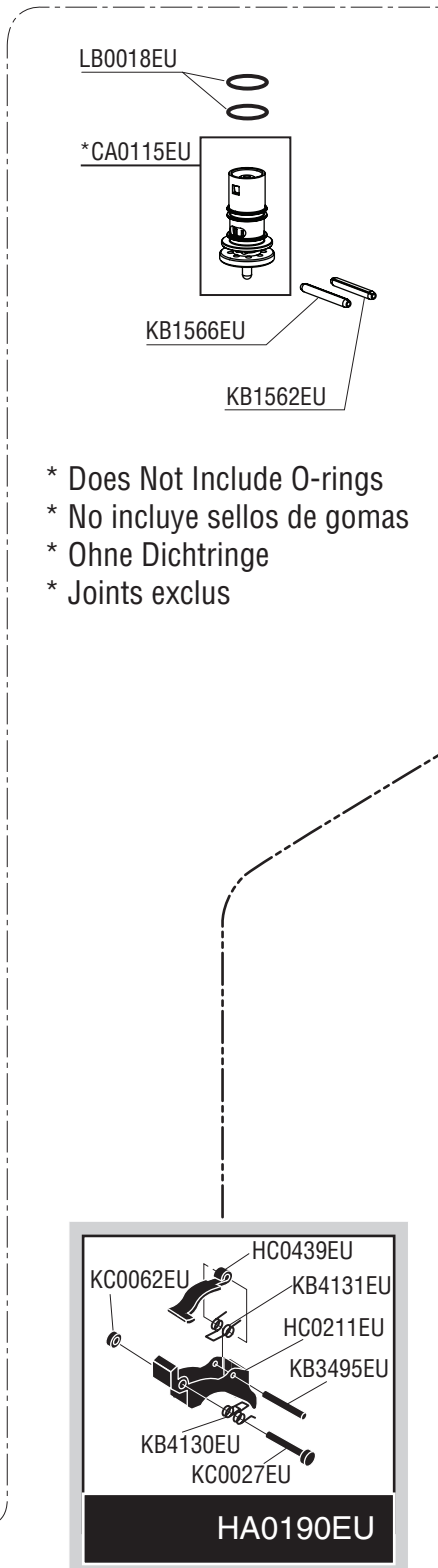
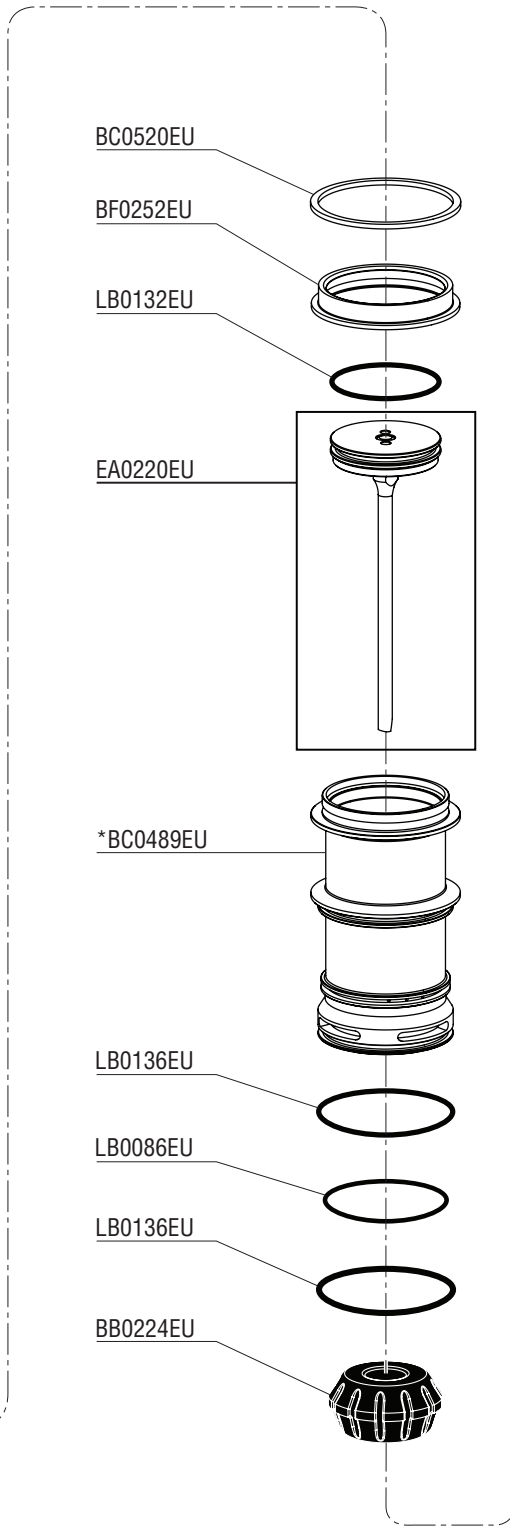
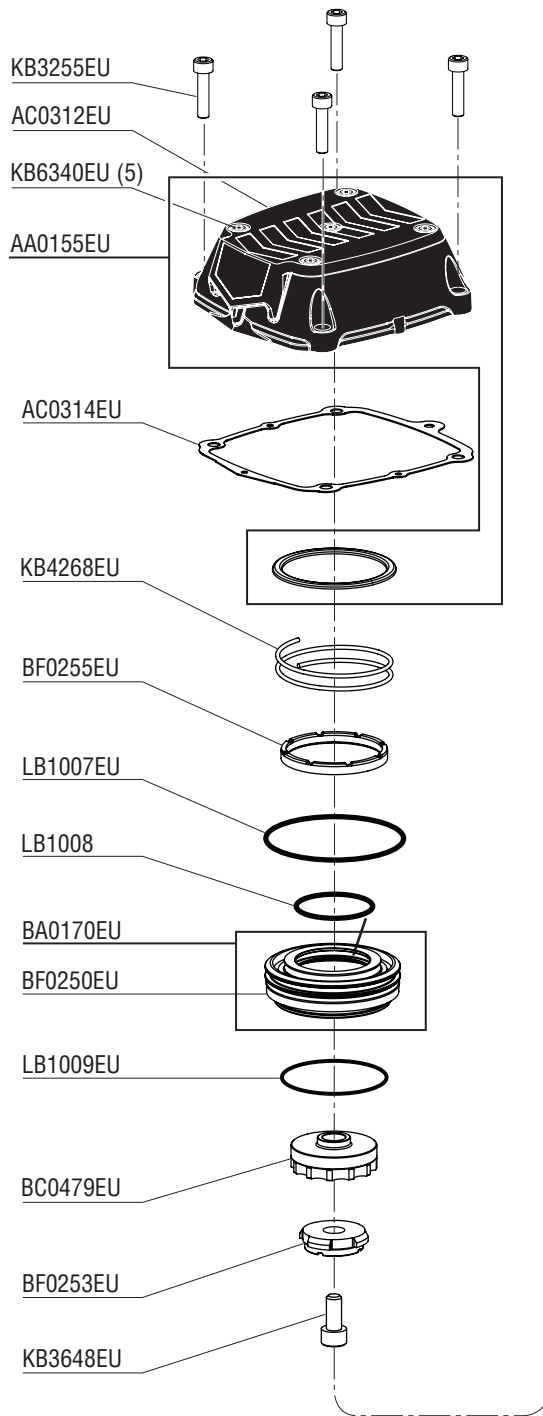


*** Schematic drawings inside**

NFG15V Issued November 18, 2009 © 2009 by Senco Brands Inc., Cincinnati, Ohio 45245- U.S.A.

Senco Brands Inc.
4270 Ivy Pointe Blvd.
Cincinnati, Ohio 45245
Visit Our Website: www.senco.com

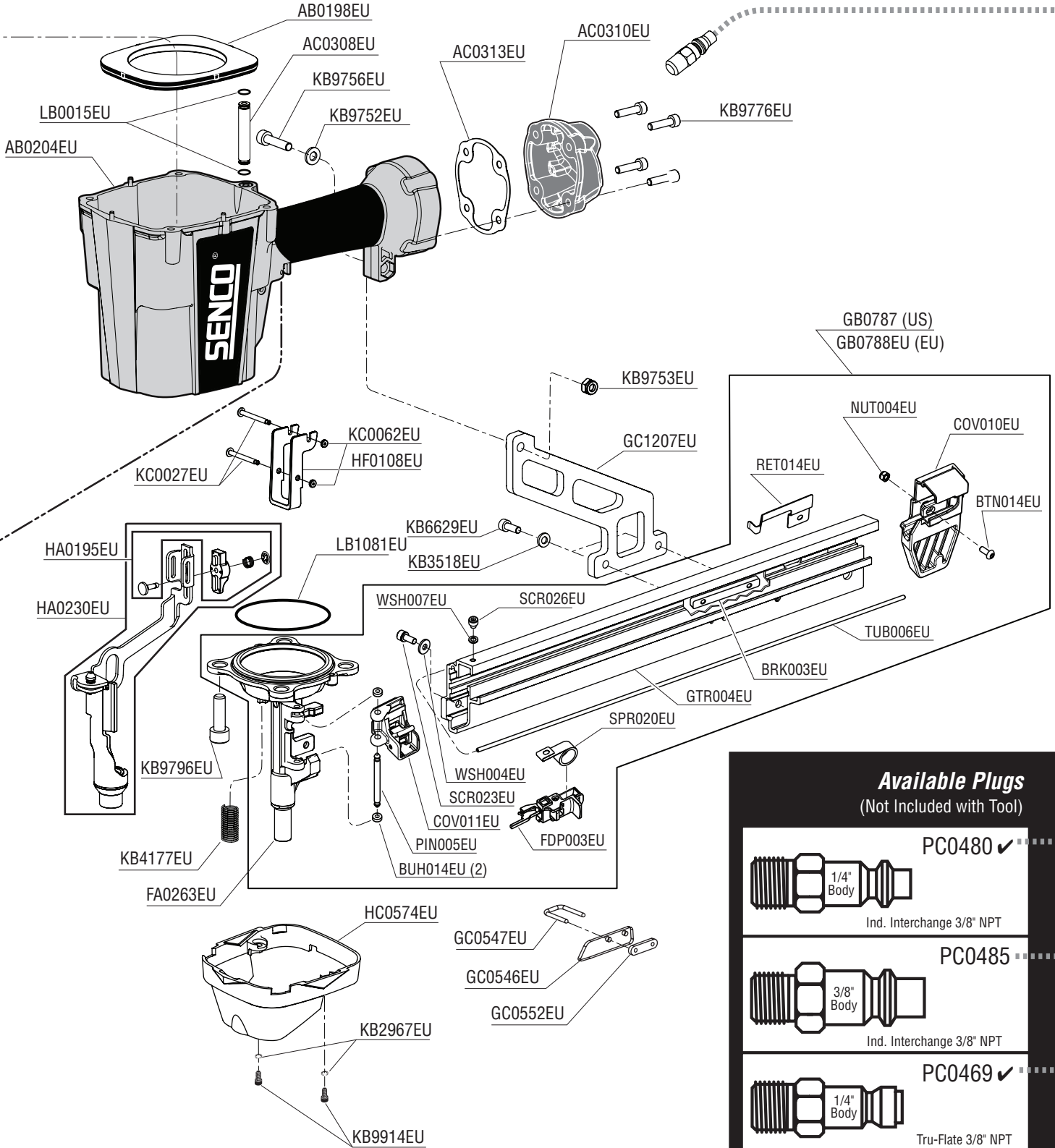
Questions? Comments? call SENCO's toll-free Action-line:
1-800-543-4596 (North and South America Only)
or e-mail: toolprof@senco.com



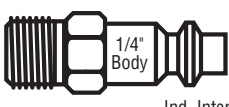
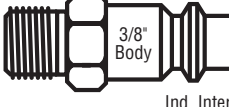
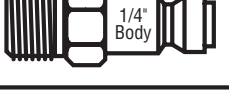
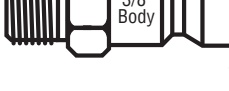
- * Does Not Include O-rings
- * No incluye sellos de gomas
- * Ohne Dichtringe
- * Joints exclus

EU DESIGNED PARTS CAN BE DIFFERENT

SAP40XP PNEUMATIC STEEL/CONCRETE FASTENING SYSTEM



Available Plugs
(Not Included with Tool)

	PC0480 ✓
1/4" Body	
Ind. Interchange 3/8" NPT	
	PC0485
3/8" Body	
Ind. Interchange 3/8" NPT	
	PC0469 ✓
1/4" Body	
Tru-Flate 3/8" NPT	
	PC0475
3/8" Body	
Tru-Flate 3/8" NPT	

✓ **Recommended Plugs**
Plugs shown smaller than actual size

NFG15V issued November 18, 2009 © 2009 by SENCO Brands Inc. Cincinnati, Ohio 45245—U.S.A.

SAP40XP PNEUMATIC STEEL/CONCRETE FASTENING SYSTEM

REPLACEMENT PARTS LIST • LISTA DE PARTES DE REPUESTO • ERSATSTEILE-LISTE • LISTE DE PIÈCES DE RECHANGE

PART NO.	DESCRIPTION	DESCRIPCIÓN	BESCHREIBUNG	DÉSIGNATION
AA0155EU	CAP	TAPA	KAPPE	BOUCHON
AB0198EU	PRESSURE PLATE	SEAL	DICHTUNG	JOINT
AB0204EU	MAIN BODY	CARCASA	GEHÄUSE	CORPS
AC0308EU	TUBE	CILINDRO	ZYLINDER	CYLINDRE
AC0310EU	END CAP	TAPA TERMINAL	ABSCHLUBKAPPE	BOUCHON D'EXTRÉMITÉ DE RAIL
AC0312EU	DEFLECTOR	DESVIADOR	ABWEISER	DÉFLECTEUR
AC0313EU	GASKET	SEAL	DICHTUNG	JOINT
AC0314EU	GASKET	SEAL	DICHTUNG	JOINT
BA0170EU	VALVE ASY	ASAMBLE DE VÁLVULA	VENTIL-ZUSAMMENBAU	VALVE D'ASSEMBLÉE
BB0224EU	STOP	TOPE	PUFFER	ARRÊT
BC0479EU	VALVE	VÁLVULA	VENTIL	VALVE
BC0489EU	CYLINDER	CILINDRO	ZYLINDER	CYLINDRE
BC0520EU	RING	ANILLO	REIFEN	ANNEAU
BF0250EU	SEAL	SELLO	DICHTUNG	JOINT
BF0252EU	RETAINER	RETÉN	SICHERUNGSRING	RETENUE
BF0253EU	BUMPER	AMORTIGUADOR	PUFFER	AMORTISSEUR
BF0255EU	BUMPER	AMORTIGUADOR	PUFFER	AMORTISSEUR
BRK003EU	MAGAZINE BRACKET	SOPORTE DEL CARGADOR	MAGAZINHALTERUNG	SUPPORT DE MAGASIN
BTN014EU	MAGAZINE SCREW (BUTTON)	TORNILLO DEL CARGADOR (BOTÓN)	SCHRAUBE, MAGAZIN (KNOPF)	VIS DE MAGASIN (BOUTON)
BUH014EU	GROMMET	GROMMET	SICHERUNGSRING	RETENUE
CA0115EU	VALVE ASSEMBLY	ASAMBLE DE VÁLVULA	VENTIL-ZUSAMMENBAU	VALVE D'ASSEMBLÉE
COV010EU	MAGAZINE COVER	CUBIERTA DEL CARGADOR	MAGAZINABDECKUNG	COUVERCLE DE MAGASIN
COV011EU	DOOR ASY	CONJ. DE PUERTA	ABDECKSCHIEBER-ZUSAMMENBAU	ENSEMBLE DE PORTE
EA0220EU	DRIVER ASY	PERCUSOR	TREIBER	COUTEAU
FA0263EU	GUIDE BODY	PLACA DE NARIZ	NAGELFÜHRUNG	FRONT
FDP003EU	FEEDERSHOE	ZAPATA ALIMENTADORA	ZUFÜHRRSCHUH	SABOT D'ALIMENTATION
GB0787EU	MAGAZINE ASY (US)	CONJ. DEL CARGADOR	MAGAZINBAUGR	ENSEMBLE DE MAGASIN
GB0788EU	MAGAZINE ASY (EU)	CONJ. DEL CARGADOR	MAGAZINBAUGR	ENSEMBLE DE MAGASIN
GC0546EU	BLOCK-OUT	BLOQUE	BLOCK	BLOC
GC0547EU	CLIP	CLIP	CLIP	CLIP
GC0552EU	GROMMET	RETÉN	SICHERUNGSRING	RETENUE
GC1207EU	MAGAZINE BRACKET	SOPORTE DEL CARGADOR	MAGAZINHALTERUNG	SUPPORT DE MAGASIN
GTR004EU	MAGAZINE	CARGADOR	MAGAZIN	MAGASIN
HA0190EU	TRIGGER ASSY	ASAMBLE DE GATILLO	AUSLÖSER	ENSEMBLE GÂCHETTE
HA0195EU	SWITCH ASSY	ASAMBLE DE ADAPTADOR	ADAPTER-ZUSAMMENBAU	ADAPTEUR D'ASSEMBLÉE
HA0230EU	SAFETY ASSEMBLY	ASAMBLE DE SEGURO	SICHERHEITSVORRICHTUNG	PALPEUR DE SÉCURITÉ
HC0574EU	SHROUD	PROTECTOR	ABDECKUNG	CACHE
HF0108EU	LINER	SEPARADOR	DISTANZSTÜCK	ENTRETOISE
KB1562EU	PIN	PASADOR	STIFT	GOUPILLE
KB1566EU	PIN	PASADOR	STIFT	GOUPILLE
KB2967EU	WASHER	ARANDELA	SCHEIBE	RONDELLE
KB3255EU	SCREW	TORNILLO	SCHRAUBE	VIS
KB3518EU	WASHER	ARANDELA	SCHEIBE	RONDELLE
KB3648EU	SCREW	TORNILLO	SCHRAUBE	VIS
KB4177EU	SPRING	RESORTE	FEDER	RESSORT
KB4268EU	SPRING	RESORTE	FEDER	RESSORT
KB6340EU	SCREW	TORNILLO	SCHRAUBE	VIS
KB6629EU	SCREW	TORNILLO	SCHRAUBE	VIS
KB9752EU	WASHER	ARANDELA	SCHEIBE	RONDELLE
KB9753EU	NUT	TUERCA	MUTTER	ÉCROU
KB9756EU	SCREW	TORNILLO	SCHRAUBE	VIS
KB9776EU	SCREW	TORNILLO	SCHRAUBE	VIS
KB9796EU	SCREW	TORNILLO	SCHRAUBE	VIS
KB9914EU	SCREW	TORNILLO	SCHRAUBE	VIS
KC0027EU	PIN	PASADOR	STIFT	GOUPILLE
KC0062EU	RETAINER	RETÉN	SICHERUNGSRING	RETENUE
LB0015EU	SEAL	SELLO	DICHTUNG	JOINT
LB0018EU	SEAL	SELLO	DICHTUNG	JOINT
LB0086EU	SEAL	SELLO	DICHTUNG	JOINT
LB0132EU	SEAL	SELLO	DICHTUNG	JOINT
LB0136EU	SEAL	SELLO	DICHTUNG	JOINT
LB1007EU	SEAL	SELLO	DICHTUNG	JOINT
LB1008EU	SEAL	SELLO	DICHTUNG	JOINT
LB1009EU	SEAL	SELLO	DICHTUNG	JOINT
LB1081EU	SEAL	SELLO	DICHTUNG	JOINT
NU0004EU	NAIL DETAINER LOCK NUT	CONTRATUERCA DEL RETÉN DE CLAVOS	KONTERMUTTER, NAGELRÜCKHALTER	CONTRE-ÉCROU DE MAINTIEN DE CLOU
PIN005EU	PIN	PASADOR	STIFT	GOUPILLE
RET014EU	NAIL DETAINER	RETÉN DE CLAVOS	NAGELRÜCKHALTER	MAINTIEN DE CLOU
SCR023EU	MAGAZINE SCREW	TORNILLO DEL CARGADOR	SCHRAUBE, MAGAZIN	VIS DE MAGASIN
SCR026EU	FEED SPRING SCREW (BUTTON)	TORNILLO DEL RESORTE ALIMENTADOR (BOTÓN)	SCHRAUBE, ZUFÜHRUNGSFEDER (KNOPF)	VIS DE RESSORT D'ALIMENTATION (BOUTON)
SPR020EU	FEED SPRING	RESORTE	ZUFÜHRFEDER	RESSORT
TUB006EU	WEAR ROD			
WSH004EU	MAGAZINE WASHER	ARANDELA DEL CARGADOR	UNTERLEGSSCHEIBE, MAGAZIN	RONDELLE DE MAGASIN
WSH007EU	MAGAZINE WASHER	ARANDELA DEL CARGADOR	UNTERLEGSSCHEIBE, MAGAZIN	RONDELLE DE MAGASIN