

**SENCO**®

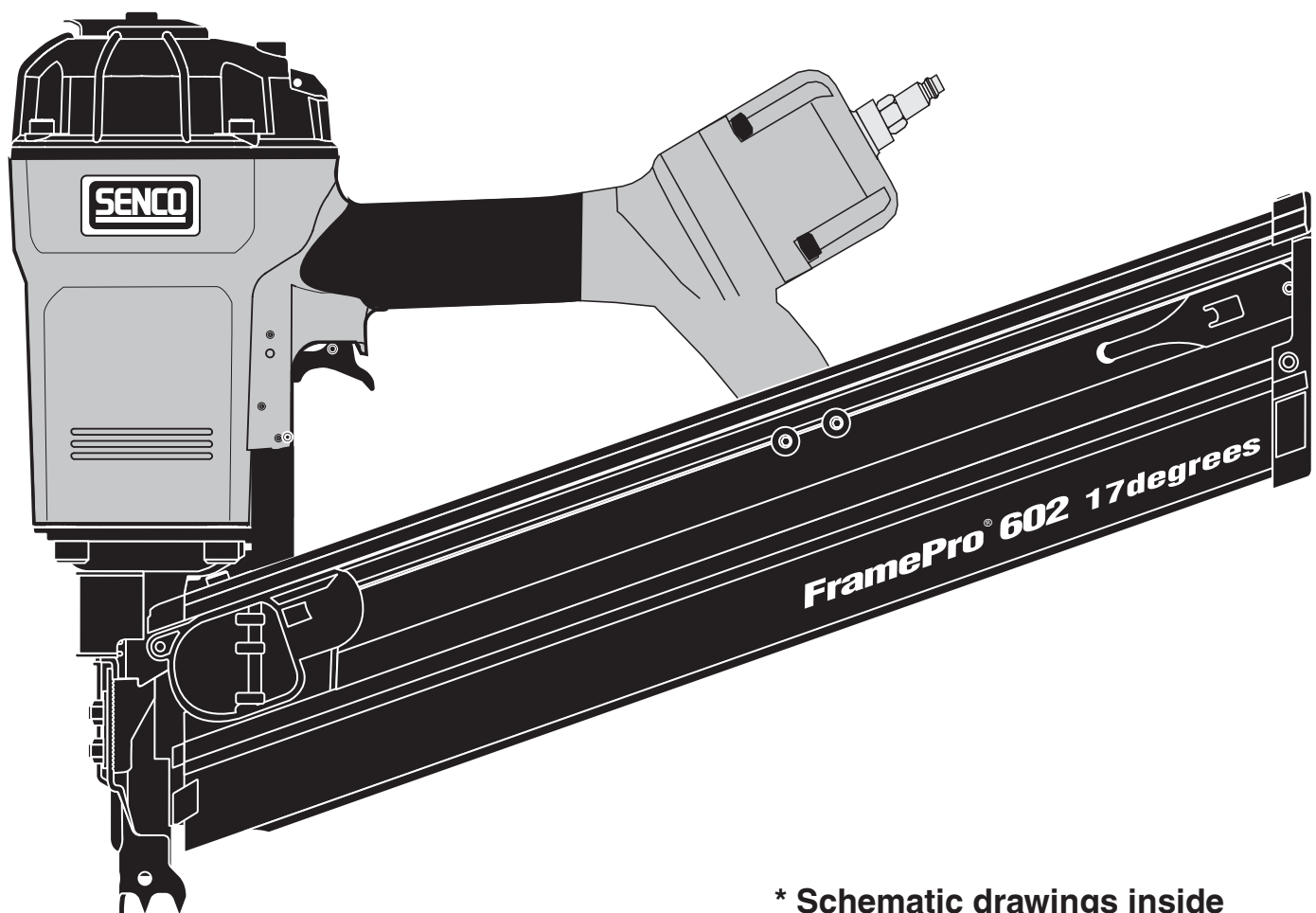
# **FramePro® 602 17 degrees Framing Nailer**



## **Parts Reference Guide**



**REPAIR KIT  
YK0360EU**



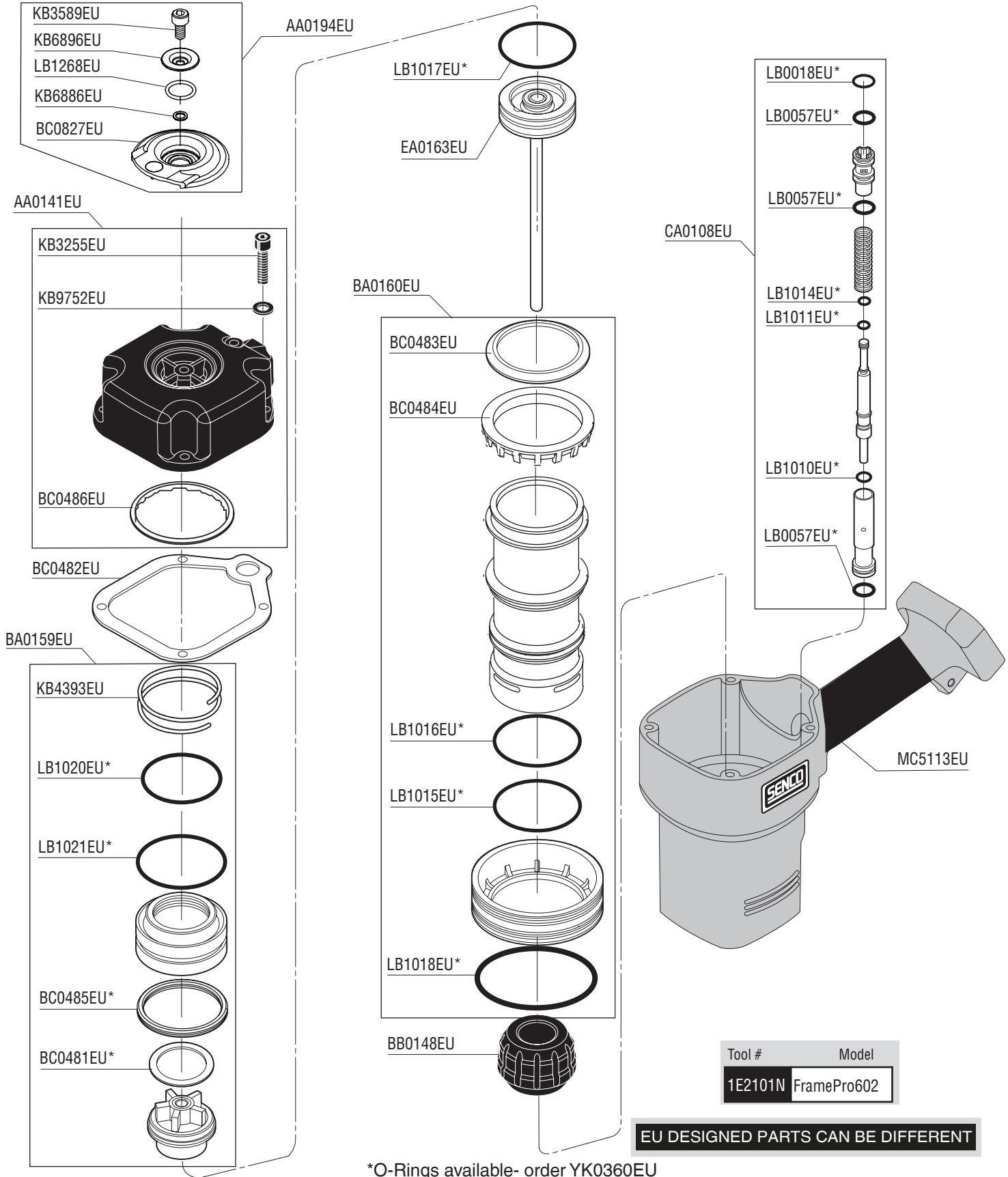
\* Schematic drawings inside

*Senco Brands Inc.  
4270 Ivy Pointe Blvd.  
Cincinnati, Ohio 45245  
Visit Our Website: [www.senco.com](http://www.senco.com)  
EU Website: [www.verpa-senco.com](http://www.verpa-senco.com)*

*Questions? Comments? call SENCO's toll-free Action-line:  
1-800-543-4596 (North & South America only)  
or e-mail: [toolprof@senco.com](mailto:toolprof@senco.com)*

# FramePro® 602 17 degrees

SENCO®



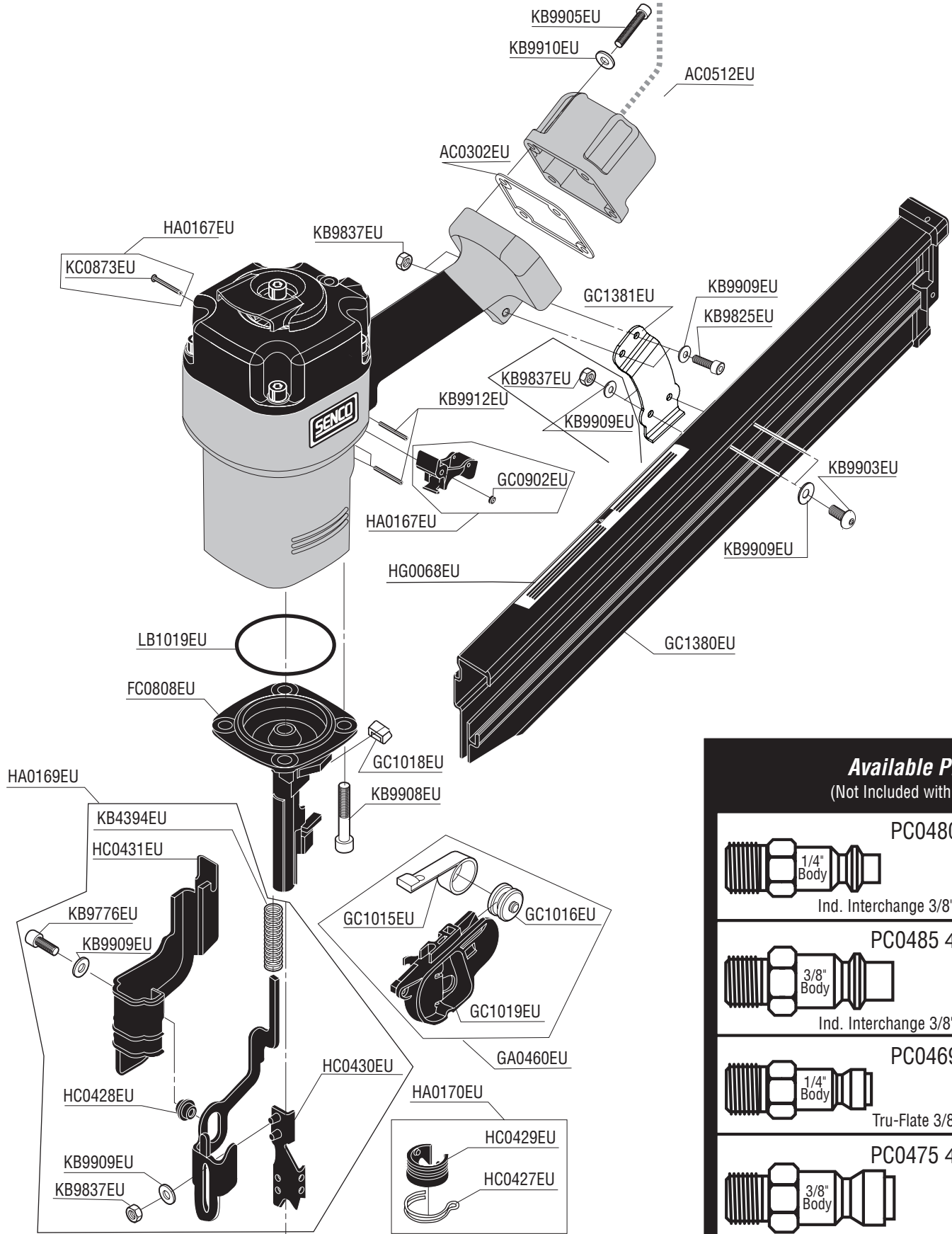
| Tool #  | Model       |
|---------|-------------|
| 1E2101N | FramePro602 |

EU DESIGNED PARTS CAN BE DIFFERENT

\*O-Rings available- order YK0360EU

# FramePro® 602 17 degrees

**SENCO®**



NFE01E Revised December 14, 2010 (Replaces 11/6/06) © 2010 by SENC0 Brands, Inc. Cincinnati, Ohio 45245 - U.S.A.

## Available Plugs (Not Included with Tool)

- PC0480** ...

1/4" Body  
Ind. Interchange 3/8" NPT
- PC0485 4** ...

3/8" Body  
Ind. Interchange 3/8" NPT
- PC0469** ...

1/4" Body  
Tru-Flate 3/8" NPT
- PC0475 4** ...

3/8" Body  
Tru-Flate 3/8" NPT

**EU DESIGNED PARTS CAN BE DIFFERENT**

**4 Recommended Plugs**  
Plugs shown smaller than actual size

# FramePro® 602 17 degrees Framing Nailer

REPLACEMENT PARTS LIST • LISTA DE PARTES DE REPUESTO • ERSATZTEILE-LISTE • LISTE DE PIÈCES DE RECHANGE

| PART NO. | DESCRIPTION             | DESCRIPCIÓN             | BESCHREIBUNG                       | DÉSIGNATION                  |
|----------|-------------------------|-------------------------|------------------------------------|------------------------------|
| AA0141EU | CAP ASSEMBLY            | ASAMBLE DE TAPA         | KAPPE-ZUSAMMENBAU                  | ENSEMBLE BOUCHON             |
| AA0194EU | DEFLECTOR ASSEMBLY      | ASAMBLE DE DESVIADOR    | ABWEISER-ZUSAMMENBAU               | ENSEMBLE DÉFLECTEUR          |
| AC0302EU | SEAL                    | SELLO                   | DICHTUNG                           | JOINT                        |
| AC0512EU | END CAP                 | TAPA TERMINAL           | ABSCHLUßKAPPE                      | BOUCHON D'EXTRÉMITÉ DE RAIL  |
| BA0159EU | FIRING VALVE ASSEMBLY   | ASAMBLE DE VÁLVULA      | VENTIL-ZUSAMMENBAU                 | ENSEMBLE VALVE               |
| BA0160EU | CYLINDER ASSEMBLY       | ASAMBLE DE CILINDRO     | ZYLINDER-ZUSAMMENBAU               | ENSEMBLE CYLINDRE            |
| BB0148EU | STOP, PISTON            | TOPE                    | PUFFER                             | ARRÊT                        |
| BC0481EU | WASHER                  | ARANDELA                | SCHEIBE                            | RONDELLE                     |
| BC0482EU | SEAL                    | SELLO                   | DICHTUNG                           | JOINT                        |
| BC0483EU | RETAINER, SLEEVE        | RETÉN                   | SICHERUNGSRING                     | RETENUE                      |
| BC0484EU | SEAL                    | SELLO                   | DICHTUNG                           | JOINT                        |
| BC0485EU | WASHER                  | ARANDELA                | SCHEIBE                            | RONDELLE                     |
| BC0486EU | RETAINER                | RETÉN                   | SICHERUNGSRING                     | RETENUE                      |
| BC0827EU | DEFLECTOR               | DESVIADOR               | ABWEISER                           | DÉFLECTEUR                   |
| CA0108EU | CORE ASSEMBLY           | ASAMBLE DE VÁSTAGO      | VENTILSTIFT-ZUSAMMENBAU            | ENSEMBLE NOYAU               |
| EA0163EU | PISTON ASSEMBLY         | ASAMBLE DE PISTON       | KOLBEN-ZUSAMMENBAU                 | ENSEMBLE PISTON-COUTEAU      |
| FC0808EU | GUIDEBODY               | PLACA DE NARIZ          | KLAMMERFÜHRUNG                     | FRONT                        |
| GA0460EU | FEEDER SHOE ASSEMBLY    | ASAMBLE DE ALIMENTADOR  | NAGELSCHIEBER-ZUSAMMENBAU          | ENSEMBLE POUSSOIR            |
| GC0902EU | RETAINER, PIN           | RETÉN                   | SICHERUNGSRING                     | RETENUE                      |
| GC1015EU | SPRING, FEEDER          | RESORTE                 | FEDER                              | RESSORT                      |
| GC1016EU | ROLLER, FEEDER SPRING   | RODILLO                 | ROLLE                              | GALET                        |
| GC1018EU | STOP                    | TOPE                    | PUFFER                             | ARRÊT                        |
| GC1019EU | FEEDER SHOE             | ALIMENTADOR             | NAGELSCHIEBER                      | POUSSOIR                     |
| GC1380EU | MAGAZINE                | CARGADOR                | MAGAZIN                            | MAGASIN                      |
| GC1381EU | BRACKET                 | BRAZO                   | HALTERUNG                          | CAVALIER                     |
| HA0167EU | TRIGGER ASSY            | ASAMBLE DE GATILLO      | AUSLÖSER-ZUSAMMENBAU               | ENSEMBLE GÂCHETTE            |
| HA0169EU | SAFETY ELEMENT ASSEMBLY | ASAMBLE DE SEGURO       | SICHERHEITSVORRICHTUNG-ZUSAMMENBAU | ENSEMBLE PALPEUR DE SÉCURITÉ |
| HA0170EU | NO-MAR PAD ASSEMBLY     | ASAMBLE DE AMORTIGUADOR | SCHUTZ-ZUSAMMENBAU                 | ENSEMBLE COUSSIN             |
| HC0427EU | SPRING                  | RESORTE                 | FEDER                              | RESSORT                      |
| HC0428EU | BUSHING                 | CASQUILLO               | HÜLSE                              | DOUILLE                      |
| HC0429EU | NO-MAR PAD              | AMORTIGUADOR            | SCHUTZ                             | COUSSIN                      |
| HC0430EU | SAFETY ELEMENT          | SEGURO                  | SICHERHEITSVORRICHTUNG             | PALPEUR DE SÉCURITÉ          |
| HC0431EU | COVER, SAFETY           | CUBIERTA                | ABDECKUNG                          | COUVERCLE                    |
| HG0068EU | LABEL                   | ETIQUETA                | AUFKLEBER                          | ÉTIQUETTE                    |
| KB3255EU | SCREW                   | TORNILLO                | SCHRAUBE                           | VIS                          |
| KB3589EU | SCREW                   | TORNILLO                | SCHRAUBE                           | VIS                          |
| KB4393EU | SPRING, FIRING VALVE    | RESORTE                 | FEDER                              | RESSORT                      |
| KB4394EU | SPRING, SAFETY          | RESORTE                 | FEDER                              | RESSORT                      |
| KB6886EU | WASHER                  | ARANDELA                | SCHEIBE                            | RONDELLE                     |
| KB6896EU | WASHER                  | ARANDELA                | SCHEIBE                            | RONDELLE                     |
| KB9752EU | WASHER                  | ARANDELA                | SCHEIBE                            | RONDELLE                     |
| KB9776EU | SCREW                   | TORNILLO                | SCHRAUBE                           | VIS                          |
| KB9825EU | SCREW                   | TORNILLO                | SCHRAUBE                           | VIS                          |
| KB9837EU | NUT                     | TUERCA                  | MUTTER                             | ÉCROU                        |
| KB9903EU | SCREW                   | TORNILLO                | SCHRAUBE                           | VIS                          |
| KB9905EU | SCREW                   | TORNILLO                | SCHRAUBE                           | VIS                          |
| KB9908EU | SCREW                   | TORNILLO                | SCHRAUBE                           | VIS                          |
| KB9909EU | WASHER                  | ARANDELA                | SCHEIBE                            | RONDELLE                     |
| KB9910EU | WASHER                  | ARANDELA                | SCHEIBE                            | RONDELLE                     |
| KB9912EU | PIN                     | PASADOR                 | STIFT                              | GOUPILLE                     |
| KC0873EU | PIN, TRIGGER PIVOT      | PASADOR                 | STIFT                              | GOUPILLE                     |
| LB0018EU | SEAL                    | SELLO                   | DICHTUNG                           | JOINT                        |
| LB0057EU | SEAL                    | SELLO                   | DICHTUNG                           | JOINT                        |
| LB1010EU | SEAL                    | SELLO                   | DICHTUNG                           | JOINT                        |
| LB1011EU | SEAL                    | SELLO                   | DICHTUNG                           | JOINT                        |
| LB1014EU | SEAL                    | SELLO                   | DICHTUNG                           | JOINT                        |
| LB1015EU | SEAL                    | SELLO                   | DICHTUNG                           | JOINT                        |
| LB1016EU | SEAL                    | SELLO                   | DICHTUNG                           | JOINT                        |
| LB1017EU | SEAL                    | SELLO                   | DICHTUNG                           | JOINT                        |
| LB1018EU | SEAL                    | SELLO                   | DICHTUNG                           | JOINT                        |
| LB1020EU | SEAL                    | SELLO                   | DICHTUNG                           | JOINT                        |
| LB1021EU | SEAL                    | SELLO                   | DICHTUNG                           | JOINT                        |
| LB1268EU | O-RING                  | SELLO                   | DICHTUNG                           | JOINT                        |
| MC5113EU | GRIP                    | AGARRADERO              | GRIFF                              | GAINÉ EN CUIR                |