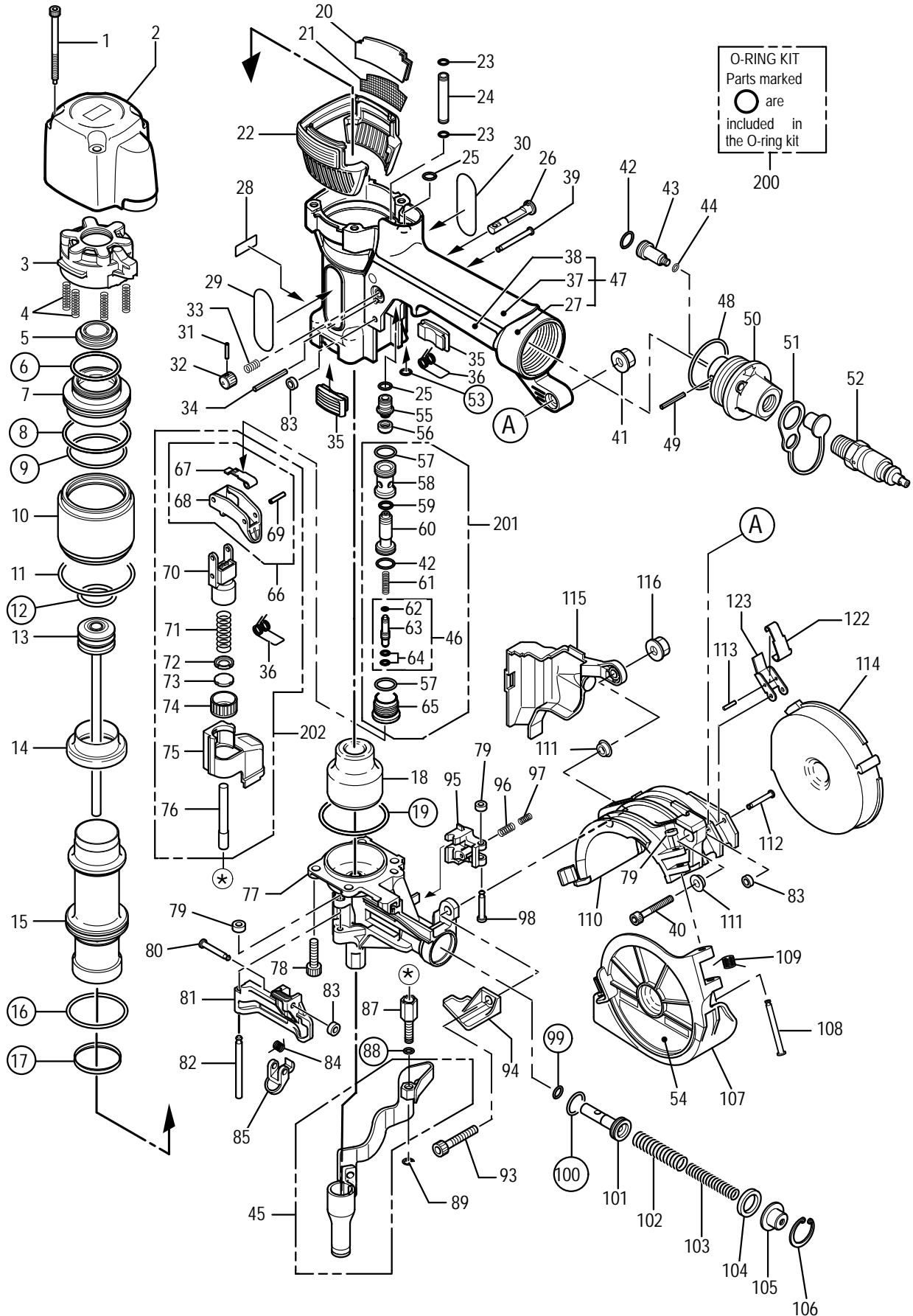


HN25C



HN25C (CE) - Parts List

Part No.	Part Code	Description
1	HN10130	BOLT 5X66
2	HN10111	CYLINDER CAP
3	HN10005	INNER CAP
4	KK23650	COMP SPRING 3650
5	HN10009	PISTON STOP
6	HH19217	O-RING B 2.4X31.8
7	HN10007	HEAD VALVE PISTON
8	HH19165	O-RING A 2.6X46.5 (CN-57)
9	HH19723	O-RING A2.6X43.4
10	HN10113	HEAD VALVE GUIDE
11	HH12104	O-RING 1A 2.4X48.3 N5519
12	HH11805	O-RING P22A
13	HN70074	MAIN PISTON UNIT
14	HN10013	CYLINDER SEAL
15	HN10116	SYLINDER
16	HH19150	O-RING3.1X40.5
17	CN32064	CHECK VALVE
18	HN10015	BUMPER
19	HH19168	O-RING A 1.5X44
20	HN10047	FILTER B
21	HN10046	FILTER A
22	HN10056	EZHAUST COVER UNIT
23	HH19722	O-RING A1.5X5
24	HN10112	PIPE
25	HH19127	O-RING A 1.5X5.5
26	CN34699	TRIGGER LOCK LEVER
27	HN10002	FRAME
28	CN34309	PLASTIC SHEET LABEL (100421)
29	HN10729	NAME LABEL
30	HN10039	WARNING LABLE
31	FF21201	PIN 2.5X10
32	HN10327	TRIGGER LOCK DIAL
33	KK23507	SPRING 3507
34	FF21235	SPRING PIN 3X30
35	HN10035	PROTECTOR A
36	KK33237	SPRING 3237
37	HN10050	GRIP COVER A
38	HN10051	GRIP COVER B
39	FF41842	PIN 1842
40	BB40470	SCREW 5X32
41	CC00401	ELASTIC STOP NUT M5
42	HH11132	O-RING 1AP10A CN65072
43	HN10752	END CAP STEM
44	HH11901	O-RING 1.4 X 2.5 CN65020
45	HN81047	CONTACT NOSE UNIT
46	HN81046	STEM ASSY
47	HN81027	FRAME
48	HH12118	O RING 1AG35
49	FF21229	W.S.PIN 3X20
50	HN10313	END CAP
51	HN10316	END PLUG CAP
52	TT05425	AIR PLUG H-FPM
53	HH12904	O-RING A 1X6.2 N5536
54	HN10754	WARNING LABLE
55	HN10043	PILOT CAP
56	HN10018	PILOT SEAL
57	HH12105	O-RING 1A 1.5 X 12.8 N5521

58	HN10016	TRIGGER VALVE HOUSING
59	HH11804	O-RING P6
60	HN10017	PILOT VALVE
61	KK23619	COMP. SPRING 3619
62	HH19707	O-RING A1.4X2.5
63	HN10057	TRIGGER VALVE STEM
64	HH19214	O-RING 1B 1.5X3
65	HN10019	TRIGGER VALVE CAP
66	HN80040	TRIGGER ASSY
67	HN10100	CONTACT LEVER
68	CN35260	TRIGGER
69	FF22402	SPRING PIN 3X16 (LIGHT LOAD)
70	HN10021	ARM GUIDE
71	KK23902	COMP. SPRING 3902
72	HN10041	CONTACT BUMPER
73	HN10103	CONTACT COLLAR
74	HN10026	ADJUST DIAL
75	HN10029	ADJUST SPACER
76	HN10101	CONTACT ARM A
77	HN10718	NOSE
78	BB40213	BOLT 6 X 25
79	EE39602	WASHER 7
80	FF41599	PIN 1599 (REPLACES FF41587)
81	HN10716	DOOR
82	FF31256	STRAIGHT PIN 1256
83	EE39609	RUBBER WASHER 1.8X6X2
84	KK33261	TORSION SPRING 3261 (REPLACES KK33169)
85	CN33679	DOOR LUTCH
87	HN10027	CONTACT BOLT
88	HH11903	O-RING 1A 1.2 X 4 T29051(REPLACES TA15277)
89	JJ10404	E-RING 3.2
92	HN10634	CONTACT TIP
93	BB40438	BOLT 6X32
94	HN10309	NAIL GUIDE
95	HN10719	FEED PAWL
96	KK23710	COMP. SPRING 3710
97	KK23788	COMP. SPRING 3788
98	FF41820	STEP PIN 1820
99	HH11113	O-RING AP9 N5528
100	HH11106	O-RING AP16
101	HN10031	FEED PISTON
102	KK23896	COMP. SPRING
103	KK23627	COMP. SPRING 3627
104	CN32093	FEED PISTON STOP
105	HN10299	SPRING COLLER
106	JJ22408	C-RING 24
107	HN10732	MAGAZINE CAP
108	FF41281	PIN 1281
109	KK33218	SPRING 3218
110	HN10731	MAGAZINE HOLDER
111	CN30707	COLLAR
112	FF41599	PIN 1599 (REPLACES FF41587)
113	FF21234	V.S. PIN 3X12
114	HN10736	MAGAZINE
115	HN10722	ARM COVER
116	CC00402	NUT M6
122	HN10308	MAGAZINE HOOK
123	CT10737	MAGAZINE LOCK LEVER
200	HN81045	O-RING KIT
201	HN81048	TRIGGER VALVE KIT
202	HN81049	ARM GUIDE KIT

