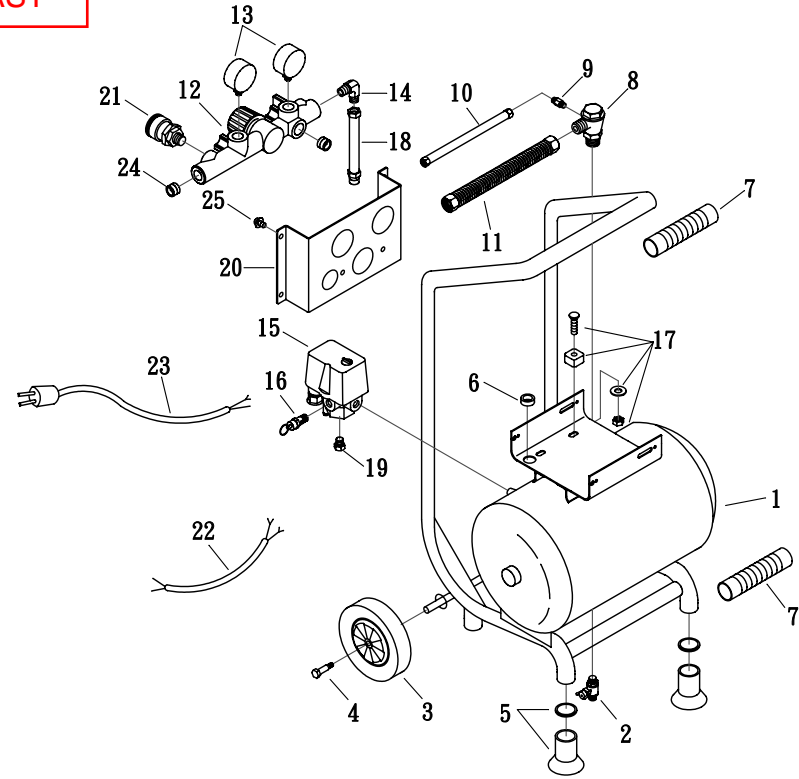
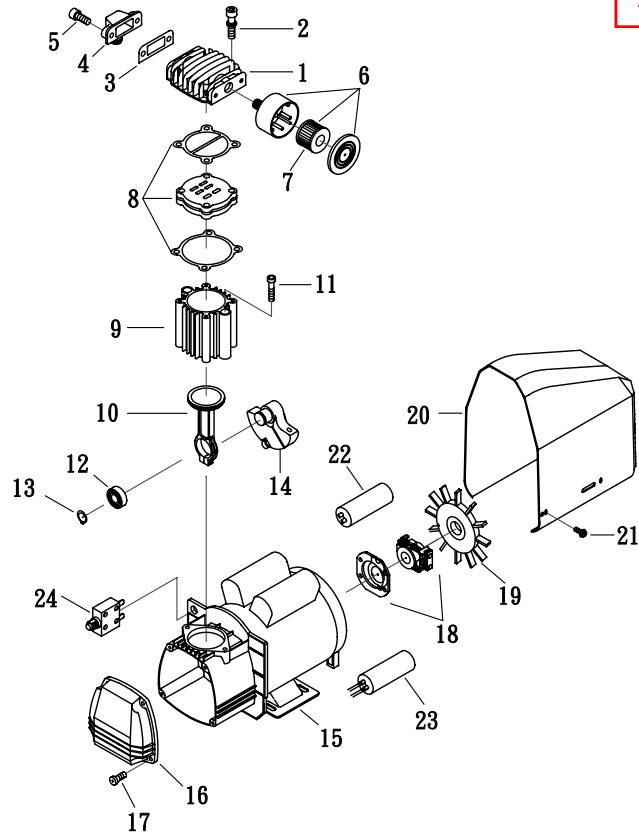


AC23012 - AERFAST



SPARE PARTS LIST

NO : VA-1110

| REF. NO. | DESCRIPTION | PART NO. | QTY. | REF. NO. | DESCRIPTION | PART NO. | QTY. |
|----------|--------------------------|---------------|------|----------|------------------------|----------------|------|
| 1 | Cylinder head | 3101042 | 1 | 13 | Retainer | 2N42-S17 | 1 |
| 2 | Allen bolt set | 3B01-M06*035V | 4 | 14 | Crankshaft & balancer | 3304067 | 1 |
| 3 | Exhaust elbow gasket | 2G09-001H | 1 | 15 | Motor set | 3B8-OF3006 | 1 |
| 4 | Exhaust elbow | 2N06-04H1 | 1 | 16 | Front cover | 3309015 | 1 |
| 5 | Allen bolt | 2B01-M08*020 | 2 | 17 | Bolt | 2B02-FM6*015 | 4 |
| 6 | Air filter set | 2140019A | 1 | 18 | Centrifugal switch set | 2E24-14062P | 1 |
| 7 | Filter element | 2142013 | 1 | 19 | Cooling fan | 2336037-2 | 1 |
| 8 | Inlet&Exhaust valve seat | 3B13-K5063 | 1 | 20 | Shroud | 2428003 | 1 |
| 9 | Cylinder | 3201049 | 1 | 21 | Bolt | 2B02-FM5*010WB | 6 |
| 10 | Rod set | 3B3-OF15 | 1 | 22 | Starting capacitor | 2E28-300F250V | 1 |
| 11 | Allen bolt | 2B01-M08*040 | 2 | 23 | Running capacitor | 2E27-025F250V | 1 |
| 12 | Bearing | 2N35-6203ZC3 | 1 | 24 | Circuit breaker | 2E25-10A | 1 |

SPARE PARTS LIST

NO : VA-1110

| REF. NO. | DESCRIPTION | PART NO. | QTY. | REF. NO. | DESCRIPTION | PART NO. | QTY. |
|----------|--------------------|--------------|------|----------|-----------------------|-----------------|------|
| 1 | Air tank | 3401C044 | 1 | 14 | Exhaust elbow | 2N06-02T02S | 1 |
| 2 | Ball valve | 2413029 | 1 | 15 | Pressure switch | 2E21-BC296BEX | 1 |
| 3 | Tank wheel | 2402015 | 2 | 16 | Pressure relief valve | 2406018CE | 1 |
| 4 | Tank wheel bolt | 2418001 | 2 | 17 | Motor feet bolt set | 3B08-FM08*30-A | 4 |
| 5 | Rubber pad set | 3433006-A | 2 | 18 | Tube | 2T06-030 | 1 |
| 6 | Bushing | 2E04-101 | 1 | 19 | Plug | 2N33-009 | 1 |
| 7 | Grip | 2432102 | 2 | 20 | Panel | 3420052 | 1 |
| 8 | Check valve | 2414025T | 1 | 21 | Quick coupler | 07S1/4M-E | 1 |
| 9 | Nipple | 2N01-01T02HS | 1 | 22 | Cable | 2E02-2C30502Y2T | 1 |
| 10 | Unloading tube set | 3B2-02*190F | 1 | 23 | Power cable | 2E01-029 | 1 |
| 11 | Exhaust tube set | 3B2-04*450 | 1 | 24 | Plug | 2B14-ST02E | 2 |
| 12 | Regulator | 2408012 | 1 | 25 | Bolt | 2B02-FM5*010WB | 6 |
| 13 | Pressure gauge | 2D12-15V15KS | 2 | | | | |